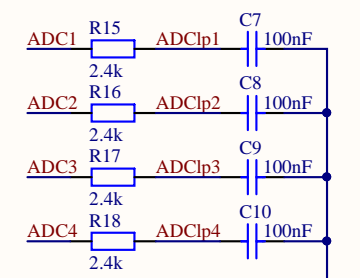
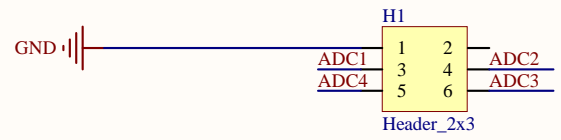
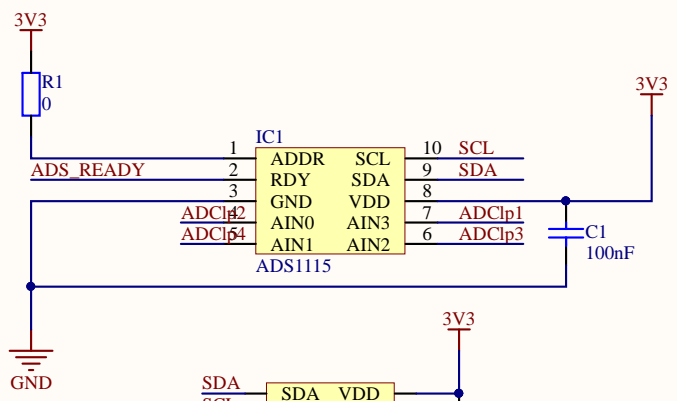


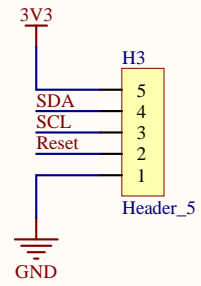
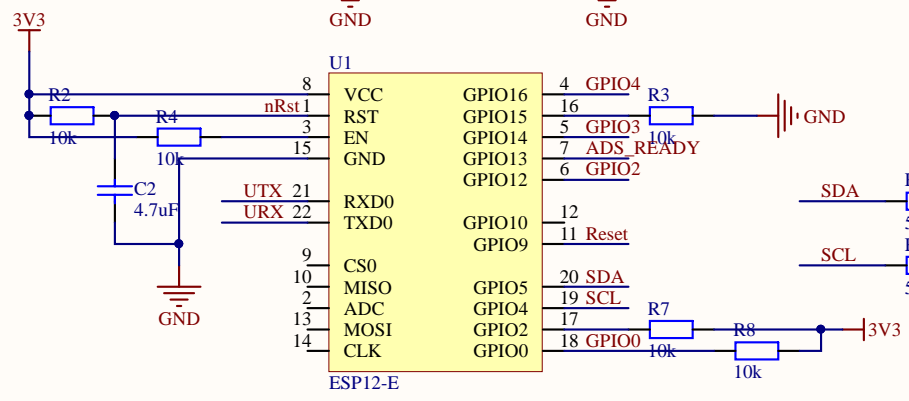
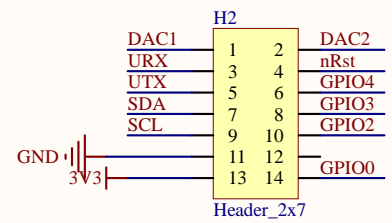
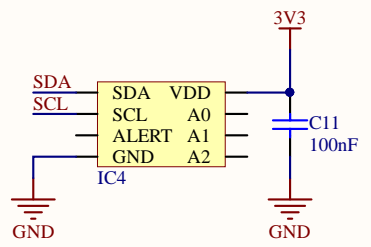
A

A



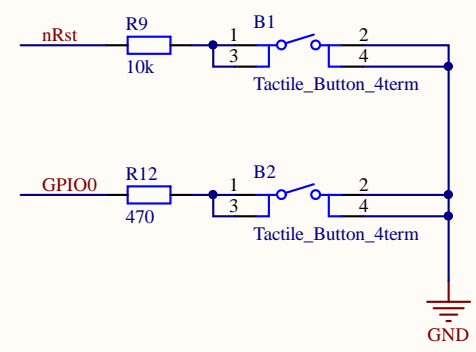
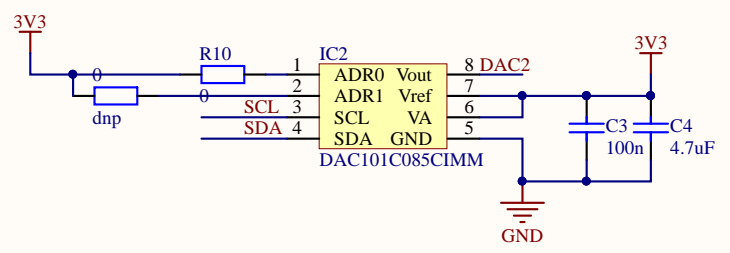
B

B



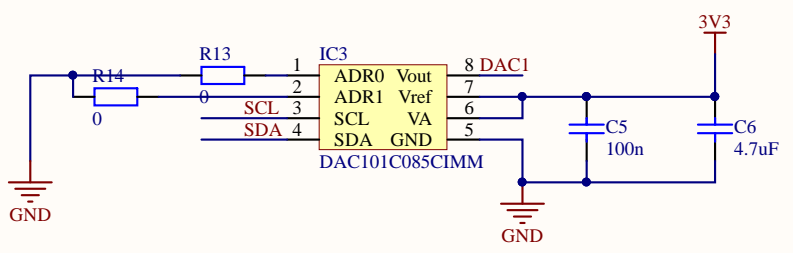
C

C



D

D



Title		
Size	Number	Revision
A		
Date:	21-Aug-17	Sheet of
File:	C:\Users\...\lupsense.SchDoc	Drawn By:

Comment	Description	Designator	Footprint	LibRef	Quantity
dnp	Schematic symbol of a resistor	0	R0603	Resistor	1
Tactile_Button_4term		B1, B2	TACTILE_MINATUE_SMD_6x6mm	Tactile_Button_4term	2
100nF	Schematic symbol of a capacitor	C1, C7, C8, C9, C10, C11	C0603	Capacitor	6
4.7uF	Schematic symbol of a capacitor	C2, C4, C6	C0603	Capacitor	3
100n	Schematic symbol of a capacitor	C3, C5	C0603	Capacitor	2
Header_2x3	Generic 6pin header symbol	H1	HEADER_MALE_2x3_RIGHT_ANGLE	Header_2x3	1
Header_2x7	Generic 14pin header symbol	H2	HEADER_MALE_2x7_RIGHT_ANGLE	Header_2x7	1
Header_5	Generic 5pin header symbol	H3	Header_MALE_0.05INC_H_5	Header_5	1
ADS1115	ADS111x Ultra-Small, Low-Power, I 2 C-Compatible, 860-SPS, 16-Bit ADCs	IC1	10-VSSOP-0.5	ADS1115	1
DAC101C085C1MM	DAC101C08xx 10-Bit Micro Power Digital-to-Analog Converter With an I 2 C-Compatible Interface	IC2, IC3	8-VSSOP	DAC101C085C1MM	2
MCP9808	v±0.5°C Maximum Accuracy Digital Temperature Sensor	IC4	8-MSOP	MCP9808	1
0	Schematic symbol of a resistor	R1, R10, R13, R14	R0603	Resistor	4
10k	Schematic symbol of a resistor	R2, R3, R4, R7, R8, R9	R0603	Resistor	6
5k	Schematic symbol of a resistor	R5, R6	R0603	Resistor	2
470	Schematic symbol of a resistor	R12	R0603	Resistor	1
2.4k	Schematic symbol of a resistor	R15, R16, R17, R18	R0603	Resistor	4
ESP12-E		U1	ESP12-E	ESP12-E	1