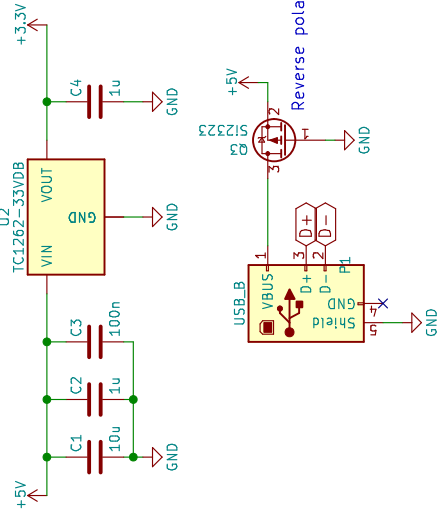
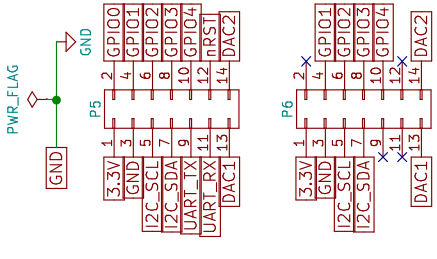
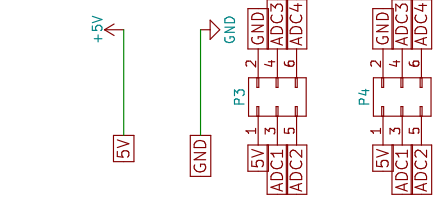


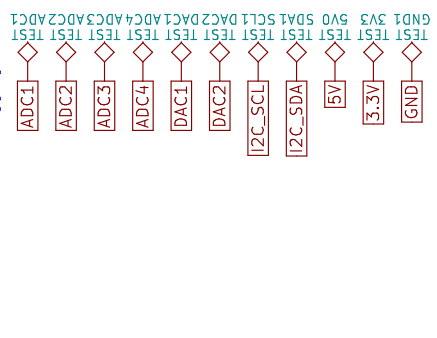
Brings up to 500mA output.
Optionally this IC can be substituted by the TS2940, which can provide up to 1A.



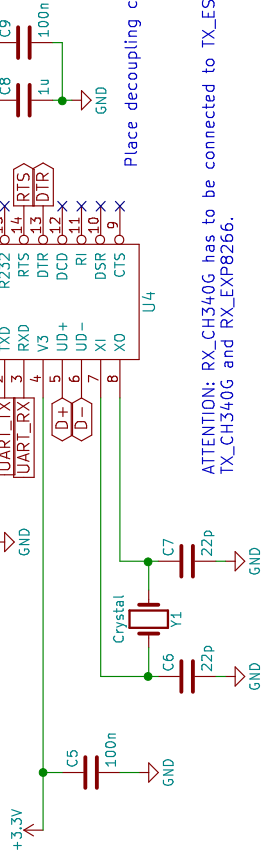
Reverse polarization protection.



Make debugging easier.

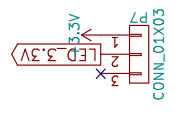


Place decoupling capacitors close to component.

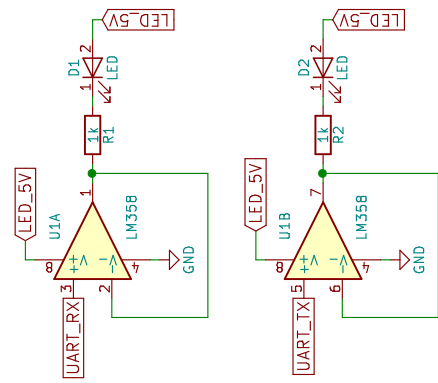


ATTENTION: RX_CH340G has to be connected to TX_ESP8266. The same goes for TX_CH340G and RX_EXP8266.

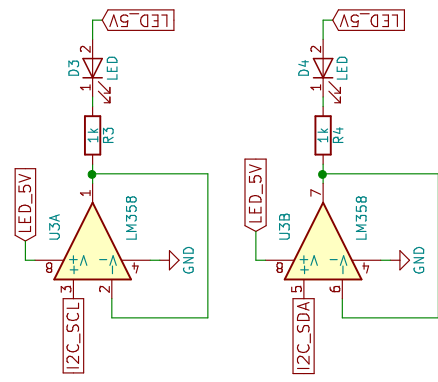
Place decoupling capacitors close to component.



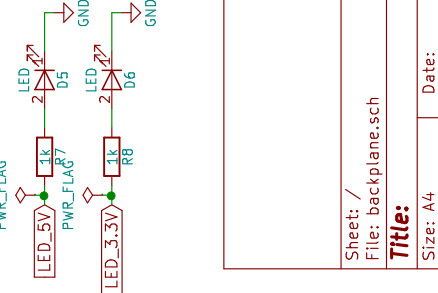
Starts blinking when transmission is ongoing, else const. on.



Starts blinking when transmission is ongoing, else const. on.



Starts blinking when transmission is ongoing, else const. on.



Auto program circuit, which is needed by the esptool to program via USB.

