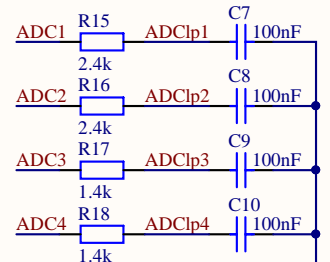
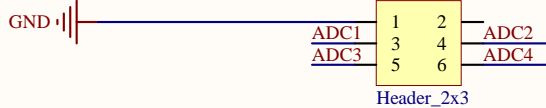
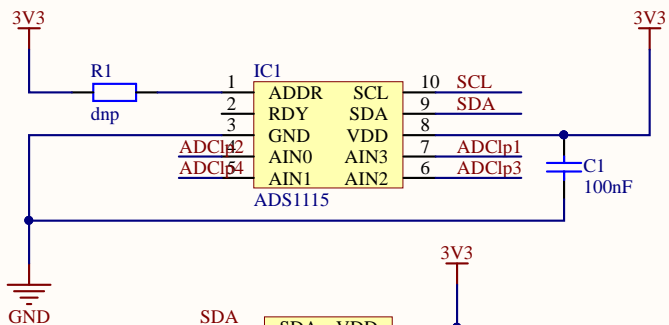


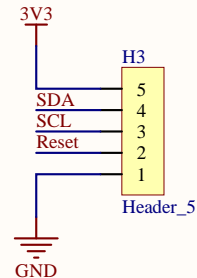
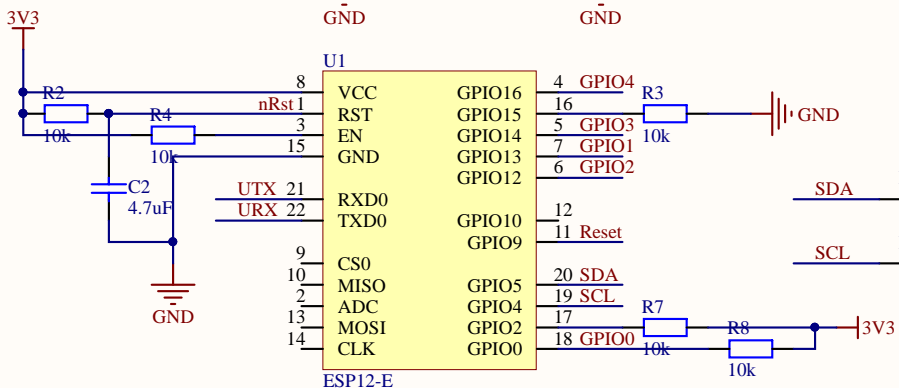
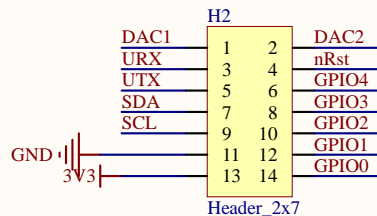
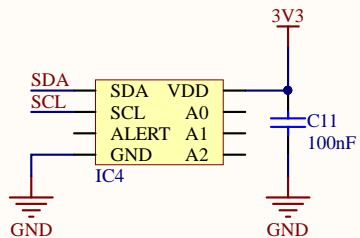
A

A



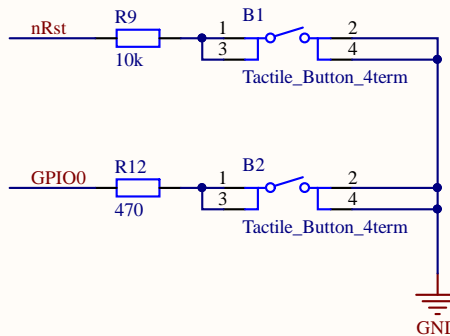
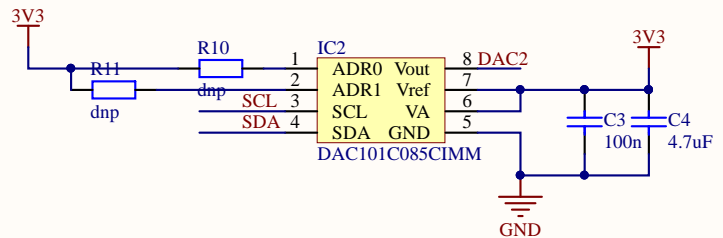
B

B



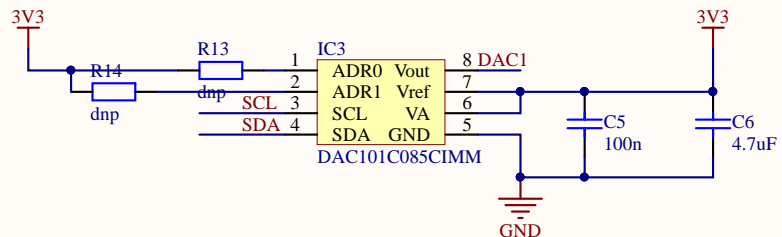
C

C



D

D



Title		
Size	Number	Revision
A		
Date:	09-Jul-17	Sheet of
File:	C:\Users\...\lupsense.SchDoc	Drawn By: