

Sheet: lowCurrent

CBPW34\_OUT

File: lowCurrent.sch

Sheet: highCurrent

CBPW34\_OUT

File: highCurrent.sch

Division of the board in a high power part and a lower power part is crucial to avoid noise in the readout circuit.

**Uppsala University**

Sheet: /

File: analog\_board.sch

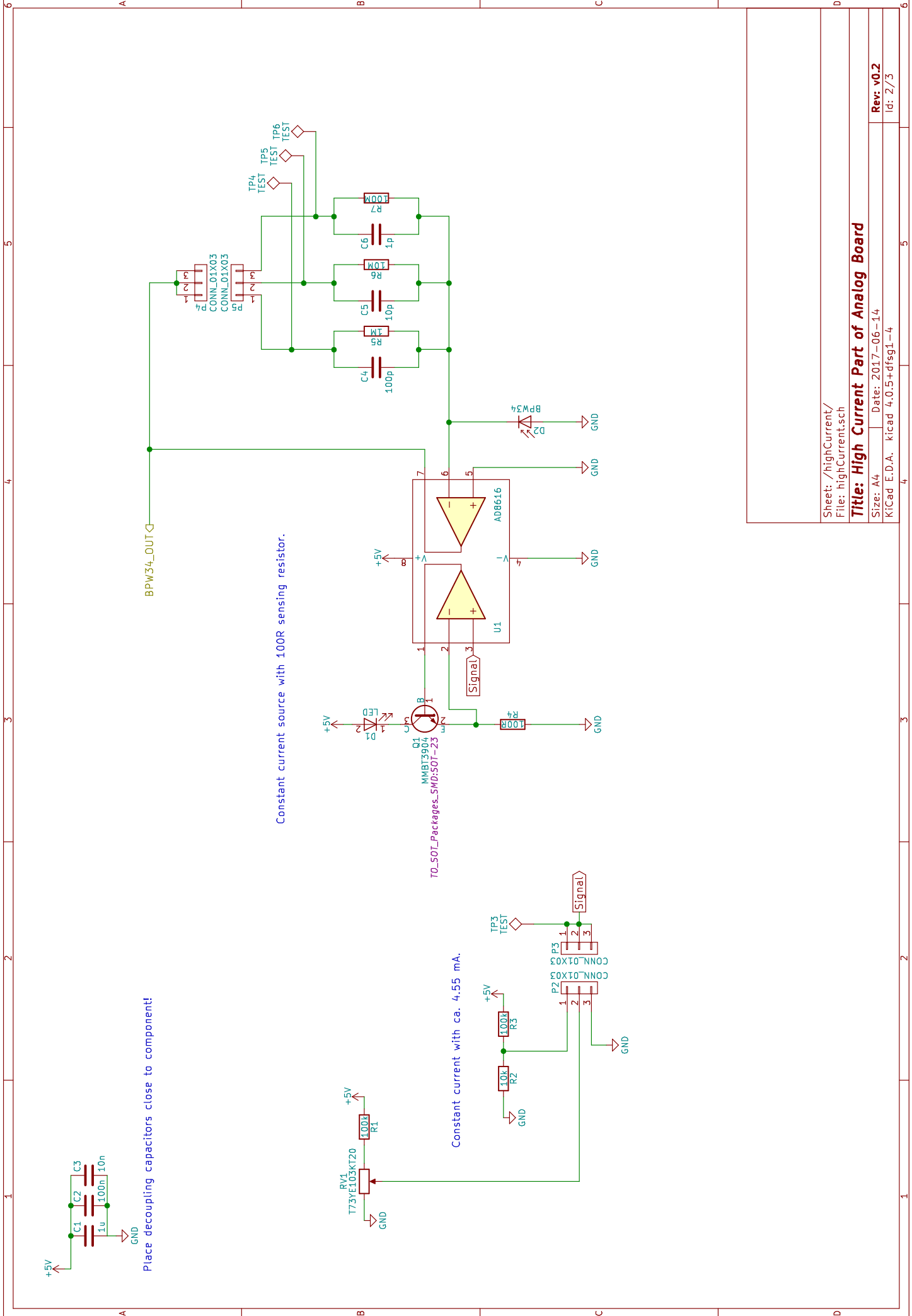
**Title: SensUs Sensor**

Size: A4 Date: 2017-06-14

KiCad E.D.A. kicad 4.0.5+dfsg1-4

Rev: v.0.2

Id: 1/3



Place decoupling capacitors close to component!

Constant current source with 100R sensing resistor.

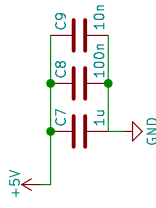
Constant current with ca. 4.55 mA.

Sheet: /highCurrent/  
File: highCurrent.sch

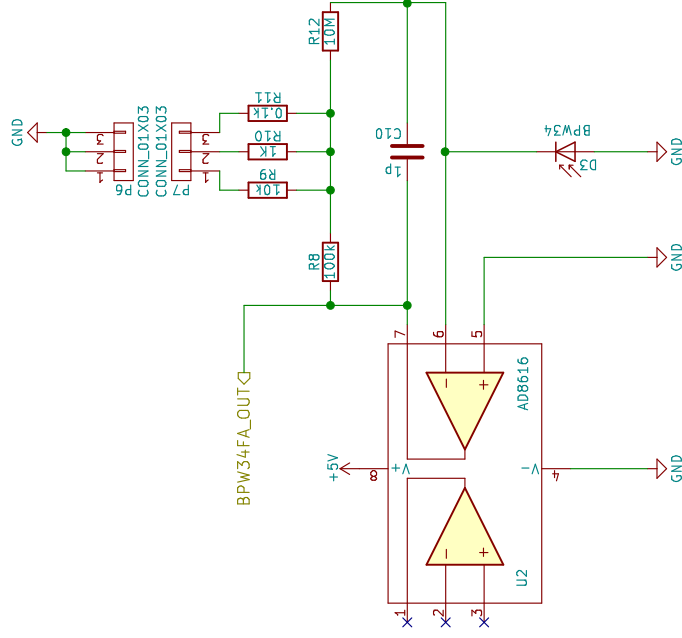
**Title: High Current Part of Analog Board**

Size: A4 | Date: 2017-06-14  
KiCad E.D.A. kicad 4.0.5+dfsg1-4

Rev. v0.2  
Id: 2/3



Place decoupling capacitors close to component!



Sheet: /lowCurrent/  
File: lowCurrent.sch

**Title: High Current Part of Analog Board**

Size: A4 Date: 2017-06-14

KiCad E.D.A. kicad 4.0.5+dfsg1-4

Rev: v0.2

Id: 3/3