

Sheet: lowCurrent

CBPW34_OUT

File: lowCurrent.sch

Sheet: highCurrent

CBPW34_OUT

File: highCurrent.sch

Division of the board in a high power part and a lower power part is crucial to avoid noise in the readout circuit.

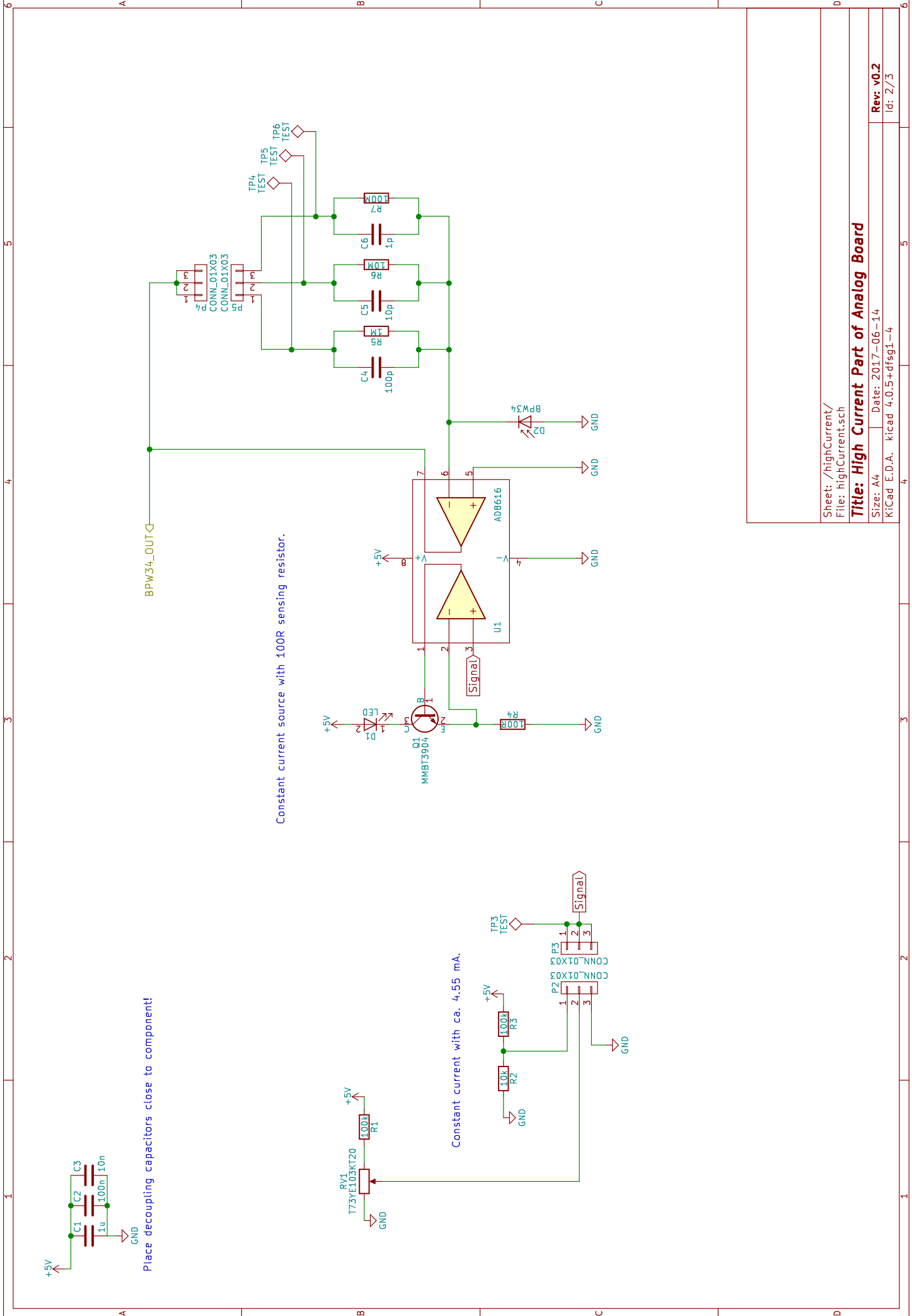
Uppsala University

Sheet: /
File: analog_board.sch

Title: SensUs Sensor

Size: A4 | Date: 2017-06-14
KICad: E.D.A. | kicad 4.0.5+dfsg1-4

Rev: v.0.2
Id: 1/3



Place decoupling capacitors close to component!

Constant current source with 100R sensing resistor.

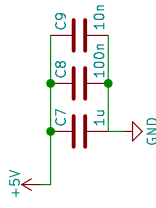
Constant current with ca. 4.55 mA.

Sheet: /highCurrent/
File: highCurrent.sch

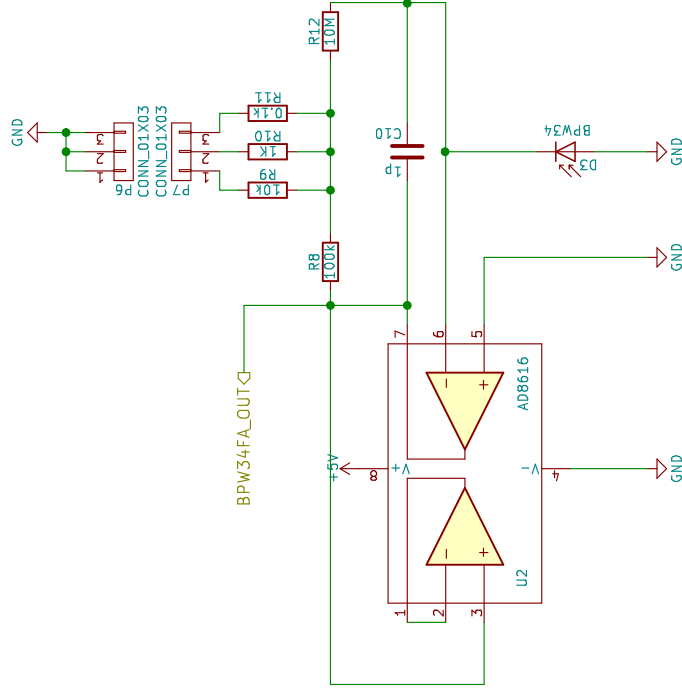
Title: High Current Part of Analog Board

Size: A4 Date: 2017-06-14
KiCad E.D.A. kicad 4.0.5+dfsg1-4

Rev. v0.2
Id: 2/3



Place decoupling capacitors close to component!



Sheet: /lowCurrent/
File: lowCurrent.sch

Title: High Current Part of Analog Board

Size: A4 Date: 2017-06-14

KiCad E.D.A. kicad 4.0.5+dfsg1-4

Rev. v0.2

Id: 3/3