

I'm shopping for...



0



Solar Connector 30A 1000V MC4 T 2T 3T 4T 5T 6T 2Y 3Y 4Y Branch Spanner Solar Panel wire Connect Pocket Series parallel Plug

Price: **US \$29.31** / pair
 Color: MC4-T

Package: 10pair

Seller Guarantees: ships out within 7 business days
 On-time Delivery 75 days

This is a snapshot of the product taken when the order was placed. [View current product](#)

CN

[Visit Store](#)

[Add to My Favorite Stores](#)

Product Details

Item specifics

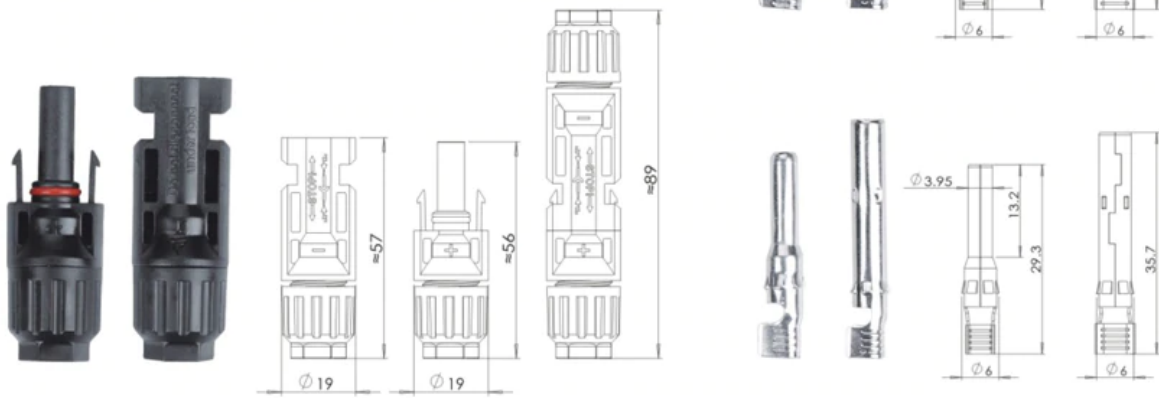
Brand Name:None
 Certification:NONE

Origin:CN(Origin)

Product Description

 <p>18V 9W 500mA Solar Panel Polycrystalline USD 10.90/piece</p>	 <p>Solar Connector 30A 1000V MC4 USD 0.84-114.8 3/pair</p>	 <p>Tracer3210AN 30A MPPT Solar Charge Controller USD 115.49/piece</p>	 <p>5V 2W 3W 4W 7W Outdoor Battery USD 5.99-13.57 /piece</p>	 <p>PCT 2 3 4 5 6 8 pole 10pcs 50pcs USD 3.99-70.60 /piece</p>
 <p>PV Connector 15A 30A 45A 60A B USD 0.75-1.95 /piece</p>	 <p>600 V 120 A SB1 20 Connect Plug USD 4.69/set</p>	 <p>PV Connector Branch parallel connection USD 0.68-127.48/piece</p>		

**Solar DC Connector
PV-LTM2(1000V)
PV-LTM2-1(1000V)**



Technical data:

Connector system
Rated voltage
Rated current
Test voltage
Ambient temperature range
Upper limiting temper ature
Degree of protection,mated
unmated
Comtact resistanceof plug connectors
Safetyclass
Contact material
Insulation material
Locking system
Flame class
Salt mist spray test,degree of severity 5

技术参数:

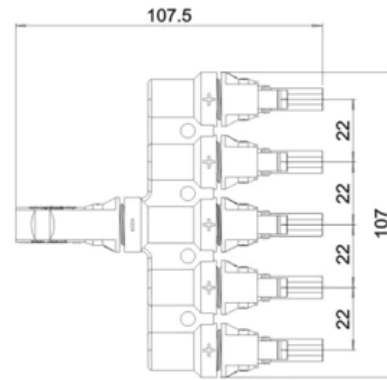
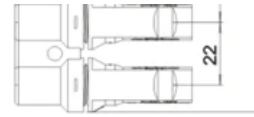
金属插头系统
额定电压
额定电流
测试电压
环境温度范围
温度上限
防护等级, 插合状态
触摸保护, 未插合状态
连接器接触阻抗
安全等级
端子材料
绝缘材料
锁紧系统
火焰等级
腐蚀试验等级

Φ4mm
1000V DC(IEC) ¹
17A(1.5mm ²) 22A(2.5mm ² ;14AWG) 30A(4mm ² ;6mm ² ;12AWG,10AWG)
6kV(50HZ,1min.)
-40°C...+90°C(IEC) -40°C...+75°C(UL)
+105°C(IEC)
Ip67
IP2X
0.5mΩ
II
Messing,verzinkt Copper Alloy,tin plated
PC/PPO
Snap-in
UL-94-V0
IEC 60068-2-52

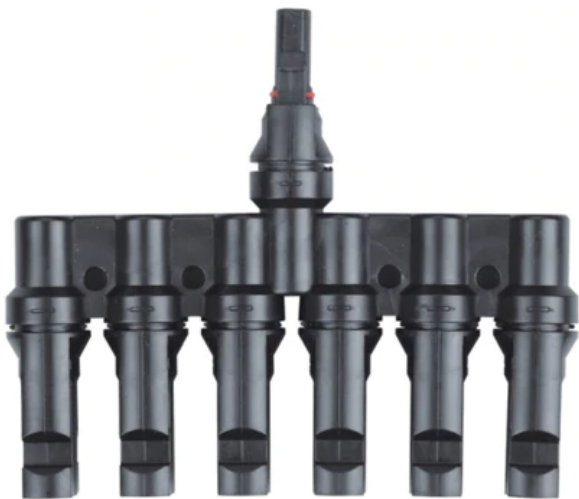
**Branch Connector
PV-LT2**



Contact Material	Copper, Tin plated
Suitable Current	30A
Rated Voltage	1000V (TUV) 600V (UL)
Test Voltage	6KV (TUV50HZ, 1min)
Contact Resistance	< 0.5mΩ
Degree Of Protection	IP 67
Ambient Temperature Range	-40°C ~ +85°C
Flame Class	UL 94-V0
Safety Class	II
Pin Dimensions	Φ4mm

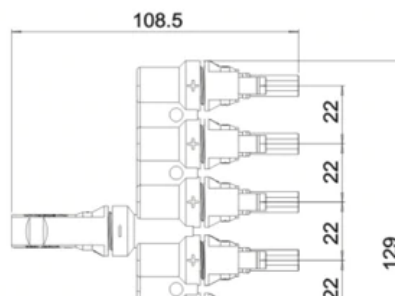
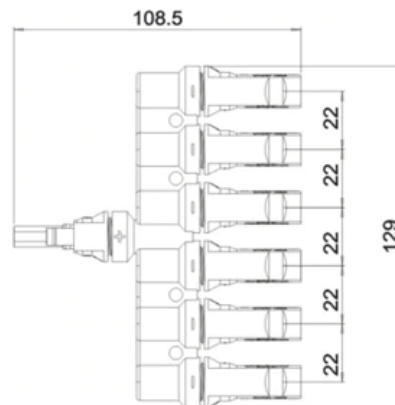


**Branch Connector
PV-LT6**



Technical data

Insulation Material	PPO
Contact Material	Copper, Tin plated
Suitable Current	30A
Rated Voltage	1000V (TUV) 600V (UL)
Test Voltage	6KV (TUV50HZ, 1min)
Contact Resistance	< 0.5mΩ
Degree Of Protection	IP 67
Ambient Temperature Range	-40°C ~ +85°C
Flame Class	UL 94-V0
Safety Class	II
Pin Dimensions	Φ4mm



Packaging Details

Unit Type:pair

Package Weight:0.1kg

Package Size:15cm x 15cm x 5cm

Help

Customer Service, Disputes & Reports, Buyer Protection, Report IPR infringement

AliExpress Multi-Language Sites

Russian, Portuguese, Spanish, French, German, Italian, Dutch, Turkish, Japanese, Korean, Thai, Vietnamese, Arabic, Hebrew, Polish

Browse by Category

All Popular, Product, Promotion, Low Price, Great Value, Reviews, Blog, Seller Portal, BLACK FRIDAY, AliExpress Assistant

Alibaba Group

Alibaba Group Website, AliExpress, Alimama, Alipay, Fliggy, Alibaba Cloud, Alibaba International, AliTelecom, DingTalk, Juhuasuan, Taobao Marketplace, Tmall, Taobao Global, AliOS, 1688

Google Play

App Store

Intellectual Property Protection - Privacy Policy - Sitemap - Terms of Use - Information for EU consumers - User Information Legal Enquiry Guide ©2010-2021 AliExpress.com. All rights reserved.



Technical data

Insulation Material	PPO
Contact Material	Copper, Tin plated
Suitable Current	30A
Rated Voltage	1000V (TUV) 600V (UL)
Test Voltage	6KV (TUV50HZ,1min)
Contact Resistance	< 0.5mΩ
Degree Of Protection	IP 67
Ambient Temperature Range	-40°C - +85°C
Flame Class	UL 94-V0
Safety Class	II
Pin Dimensions	Φ4mm

