

I'm shopping for...



0



### 48V Dc-Dc Converter 48V to 24V 20a Step Down Power Supply Transducer Buck Regulator Voltage Transformer

Price: **US \$15.41** / piece  
 Color: As shown  
 Seller Guarantees: ships out within 7 business days  
 On-time Delivery 75 days  
 This is a snapshot of the product taken when the order was placed. [View current product](#)

CN

[Visit Store](#)

[Add to My Favorite Stores](#)

#### Product Details

#### Item specifics

Input voltage:48V,24V,20A,4080°C,95,1,1,74x74x32MM,...  
 Certification:NONE  
 Type:Other

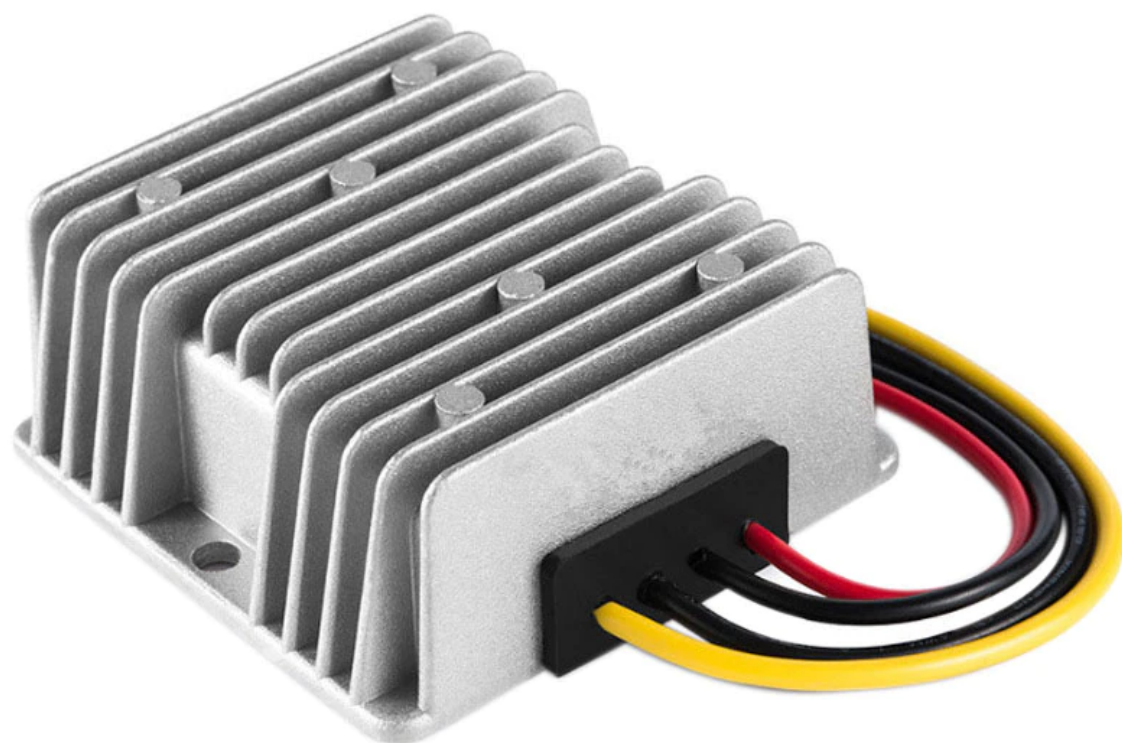
Brand Name:None  
 Origin:CN(Origin)

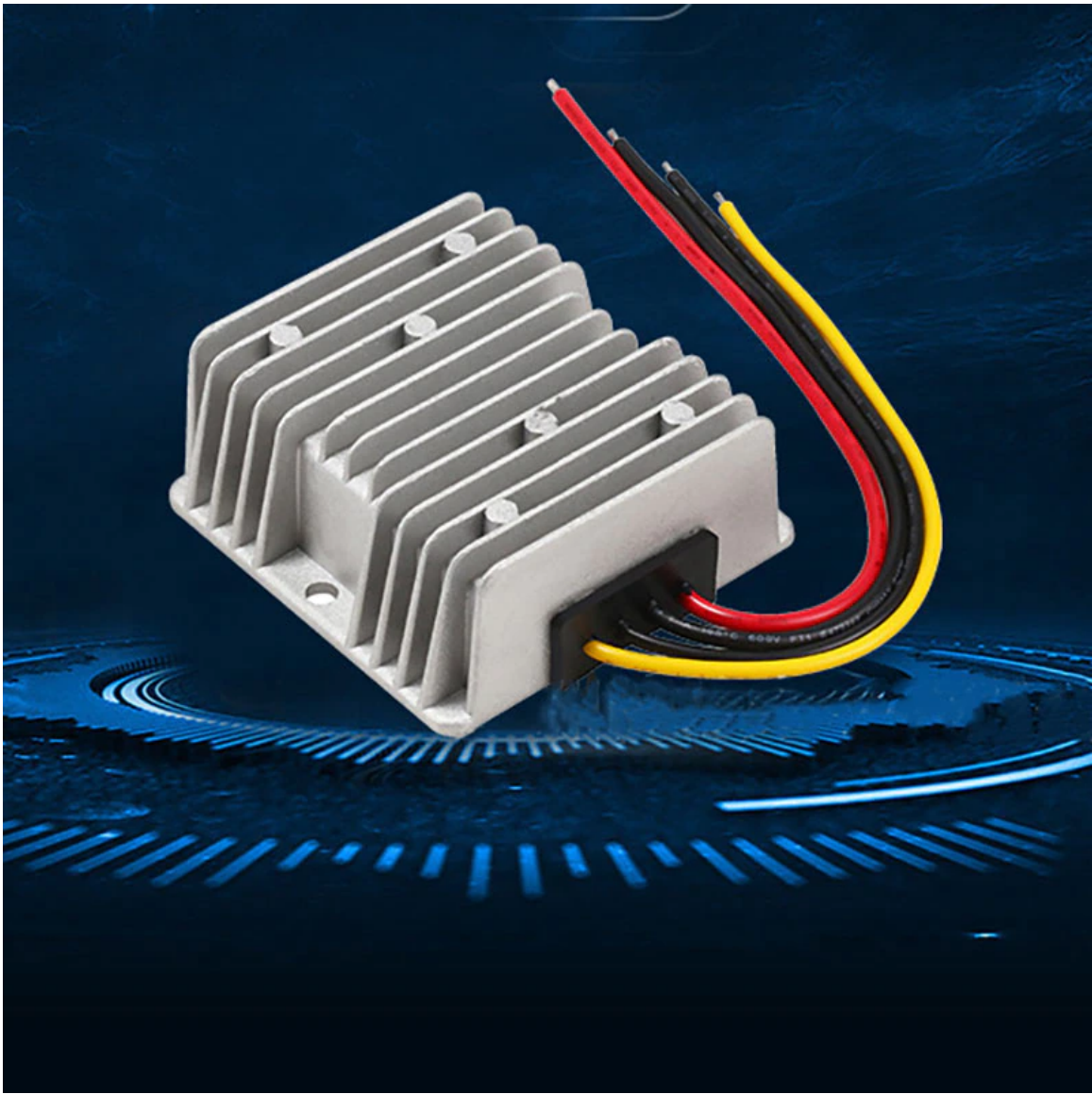
#### Product Description

Input voltage: 48V  
 Output voltage: 24V  
 Output current: 20A  
 Working temperature: -40-80°C  
 Work efficiency: 95%

**Help** Customer Service, Disputes & Reports,  
 Buyer Protection, Report IPR  
**Multi-Language** Russian, Portuguese, Spanish, French,  
 Arabic, Hebrew, Polish  
**Multi-Choice by Price** All Popular, Product Promotion, Low  
 Price, Great Value, Reviews, Blog, Seller  
**Category** Portal, BLACK FRIDAY, AliExpress,  
 Alibaba Group Website, AliExpress,  
 Assistant  
**Package Contents:** Alimama, Alipay, Fliggy, Alibaba Cloud,  
 Alibaba International, AliTelecom,  
 1 \* converter

Only the above package content, other products are not included.  
 Note: Light shooting and different displays may cause the color of the item in the picture a little different from the real thing. The measurement allowed error is +/- 1-3cm.







Foot power

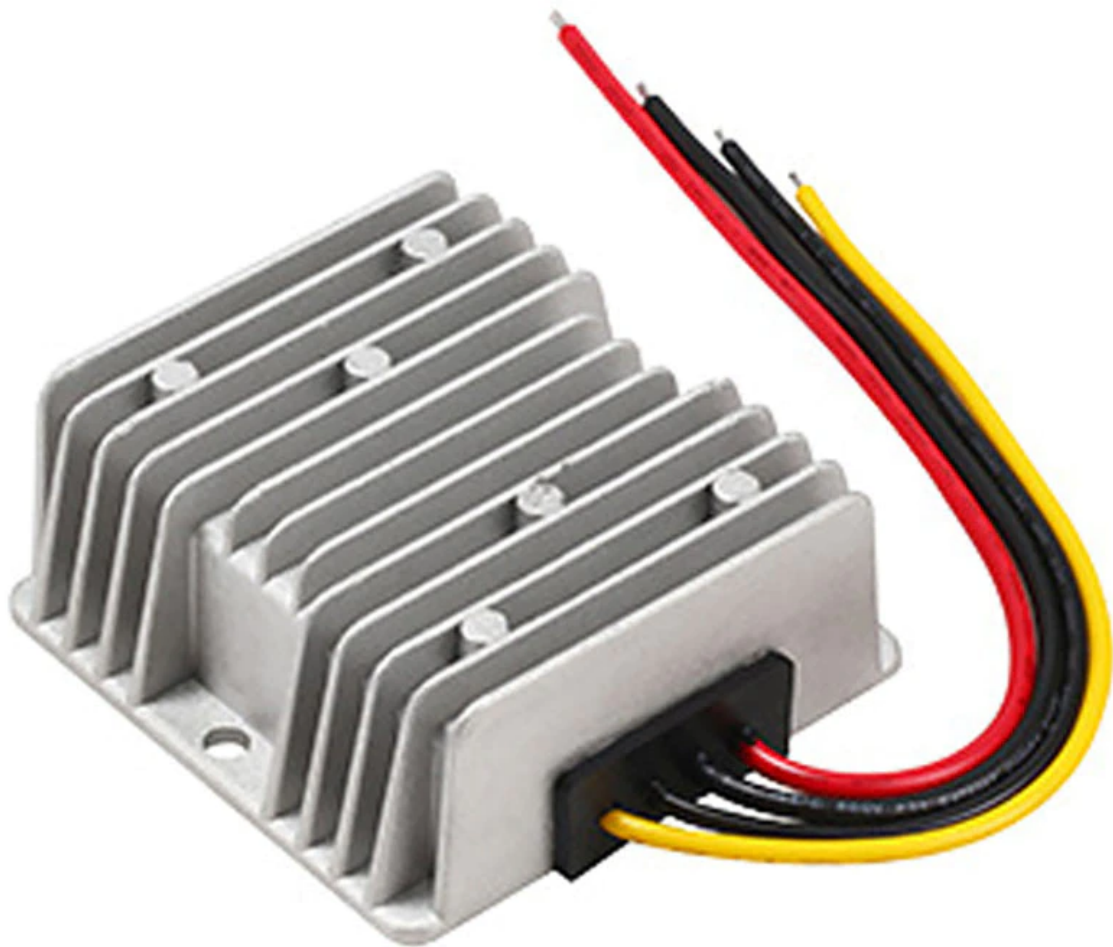
Stable voltage output

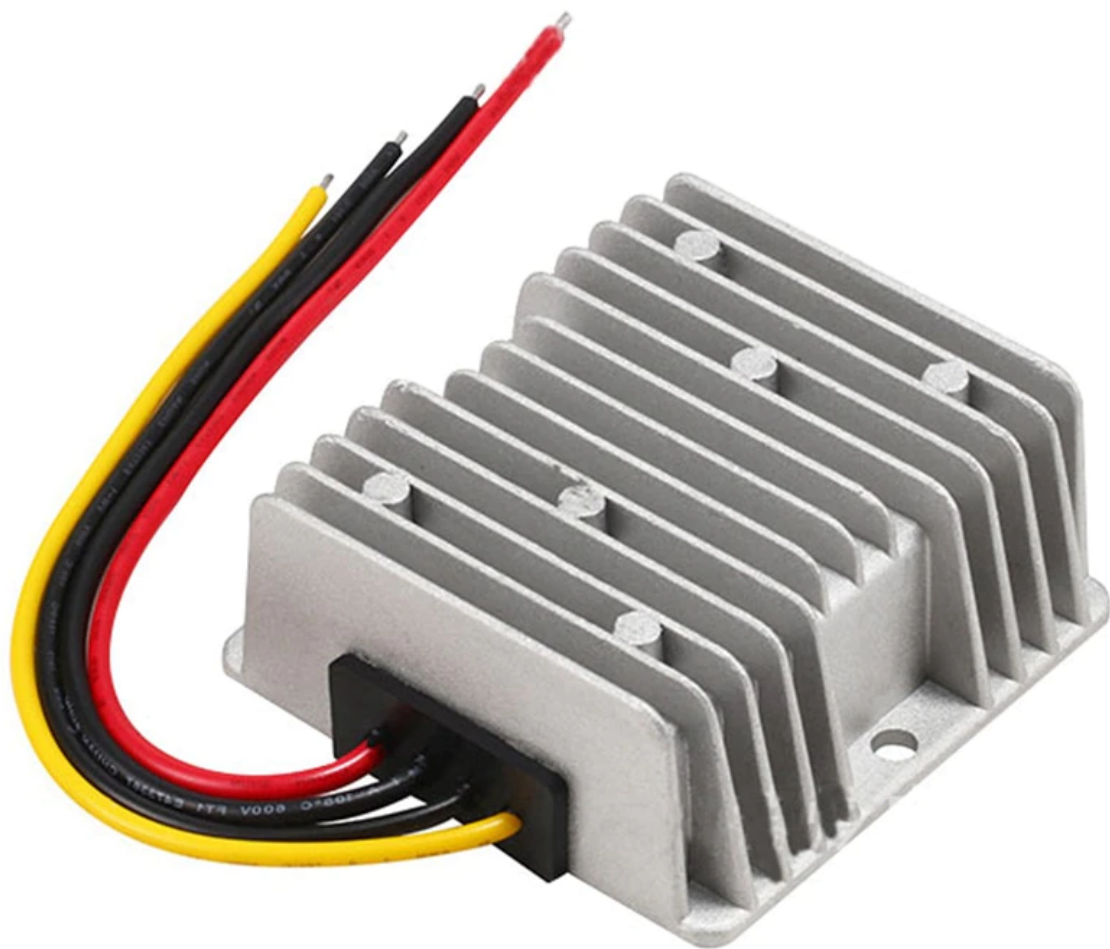
High conversion efficiency

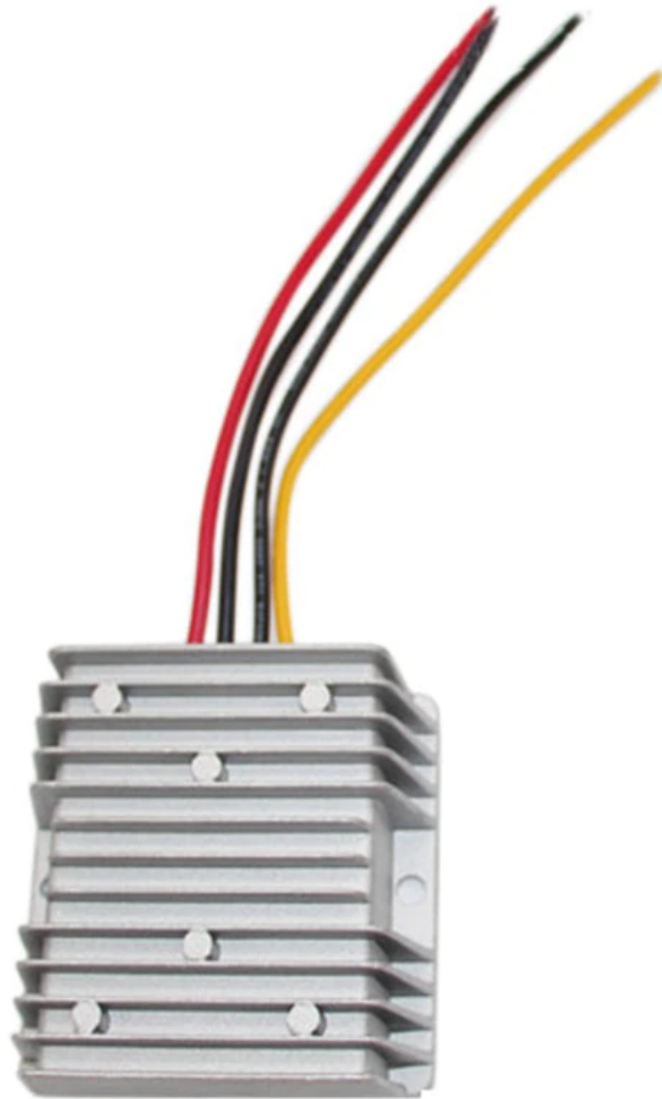
Easy to install and anti-aging

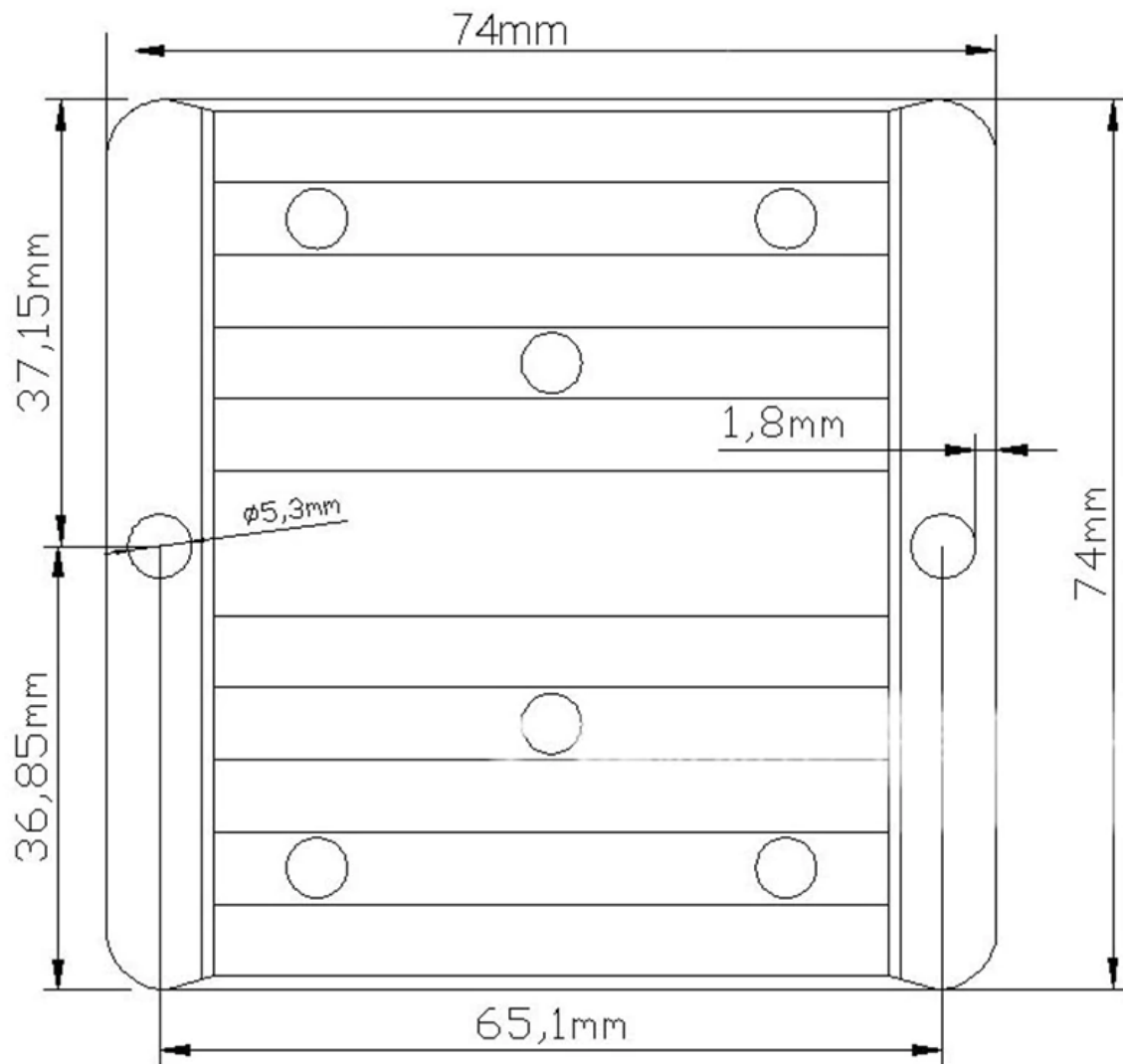
Good heat dissipation Zhou  
Dexuan Electronics Co., Ltd.

High service life









**Packaging Details**

Unit Type: piece  
Package Size: 10cm x 8cm x 4cm

Package 0.301kg  
Weight: