

Technical data sheet

Equipotential busbar with plastic base plate

Item no. 5015073



Equipotential busbar for equipotential bonding according to DIN VDE 0100-410/540 and lightning protection equipotential bonding according to DIN VDE 0185-305

- Base plate and cover hood made of polystyrene, grey
- Sealable / labellable cover
- Contact strip made of nickel-plated brass
- Screws and crossbar made of electrogalvanised steel
- Capable of carrying lightning current of 100 kA (10/350)

Connection options:

- 7x single or multi-core cables to 25 mm² or fine-core cables to 16 mm²
- 1 round conductor Rd 8-10
- 1 flat strip to FL30 or round conductor Rd 8-10



CuZn Brass

Additional product text, instruction	Minimum order quantity 00000
Additional product text 1	With sealable cover hood, made from impact-resistant plastic

Master data

Item no.	5015073
Type	1809
Description 1	Equipotential busbar
Dimension	188mm
Colour	Grey
Material	Brass
Material symbol	CuZn
Smallest sales unit (VG)	1,00 Piece
Weight	23,00 kg/100 pc.

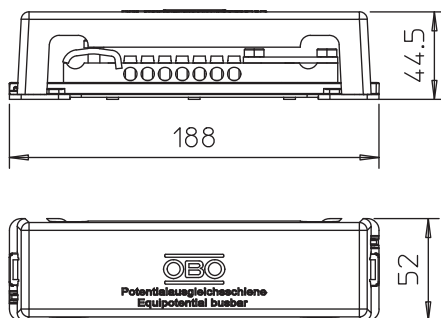
Technical data sheet

Equipotential busbar with plastic base plate

Item no. 5015073



Technical data



Length	188,00 mm
Width	52,00 mm
Height	44,50 mm
Connection option 1	7 x single or multi-core cables to 25 mm ² or fine-core cables to 16 mm ²
Connection option 2	1 x round conductor Rd 8 - 10
Connection option 3	1 x flat strip to FL30 or round conductor Rd 8 - 10
Quantity of round conductor connections, total	1,00
Quantity of round conductor connections 8 mm	0,00
Quantity of round conductor connections 10 mm	0,00
Quantity of round conductor connections 8-10 mm	1,00
Quantity of flat conductor connections up to 30 mm	1,00
Quantity of flat conductor connections up to 40 mm	0,00
Quantity of cable connections up to 6 mm ² , rigid	0,00
Quantity of cable connections up to 16 mm ² , rigid	0,00
Quantity of cable connections up to 25 mm ² , rigid	7,00
Quantity of cable connections up to 95 mm ² , rigid	0,00
Version	With cover hood
Shape	Fixed structure
Lightning current carrying capacity	H/100 kA
Insulator	<input checked="" type="checkbox"/>
Material of the terminal	Steel
Surface of the terminal	Electrogalvanised
Material of the contact rail	Brass
Surface of the contact rail	Nickel-plated